



İMAJ TEKNİK
ELEKTRİK ELEKTRONİK MALZ. SAN. VE TİC. LTD. ŞTİ

INSTANTANEOUS AND FUNCTION RELAYS

Instantaneous relays 4 contacts / 1848



TEC

1848

- ▶ rear wiring socket with clips ER/GE 2.8
- ▶ rear wiring socket / PCB mounting ER/GE
- ▶ front wiring socket with clips EVC/GE
- ▶ front wiring socket with clips 9876
- ▶ front wiring socket / screw terminals EVB/GE
- ▶ front wiring socket / screw terminals 9877

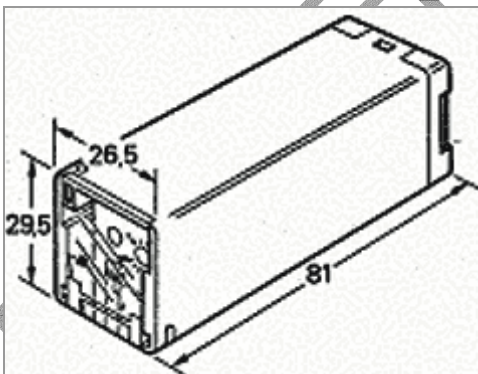


DESCRIPTION ▶

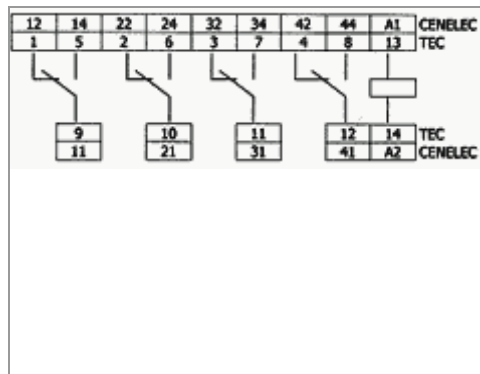
Instantaneous fast action relay - 4 CO contacts - 5 A..

Pluggable on the following sockets : 9876, 9877, EVB/GE, EVC/GE, ER/GE 2,8 ou ER/GE.

Dimensions



Connection



TECHNICAL FEATURES

Function	instantaneous fast action
Presentation	under cover
Connection	on front or rear wiring socket or on PCB
Number of mechanical operations	> 10.000.000
Operating temperature	- 25 to + 55°C
Storage temperature	- 40°C to + 80°C
Climatic protection	reinforced climatic protection
Shock voltage	4 KV wave 1,2/50 microseconds
Dielectric strength	2,5 KV, 50 Hz., 1 mn
Insulation resistance	> 200.000 MOhms (500 VDC new relay)
Weight	40 g.

COIL DATA

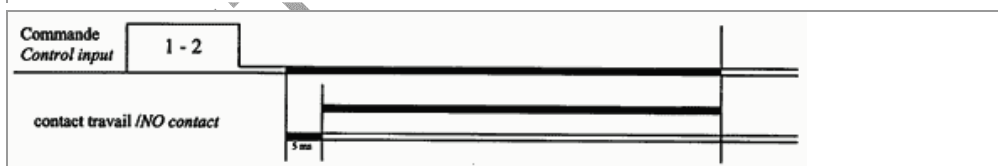
	Direct current	Alternative current
Min. nominal voltage DC	48 V	
Min. nominal voltage AC	220/230 V	
Operating range	-20/+10% of nominal voltage	
Power requirement	operate = 12 W, hold = 1,2 W	

CONTACTS

Number of contacts	4
Contacts material	Silver alloy with gold flash
Max. load current	5 A per contact
Low power switching	100 mVA with min. voltage 1 V or I min 1 mA
Short-circuit load	100 A / 30 ms
Response time	operating coil/closing NO < or = 5 ms
Bounce time	< 8 ms

OPERATION DIAGRAM

FONCTION



VERSIONS

The 1848 relay is a specially designed fast action relay equipped with 4 x 5 A CO contacts. The basic design is made of :

- One 1804 relay with 4 x 5A CO contacts (qualified EDF HS45S25 cl. 2a)
- Electronic components giving fast peak up response of 5 ms or less of the 4 NO contacts.

Contacts rating :

* 125 VDC/0,25 A - L/R = 50 ms ==> 1000 operations

* 220 VDC/0,15 A - L/R = 50 ms ==> 1000 operations

Withdrawal is proposed as an option.

For any complementary information regarding mounting or withdrawal, please refer to the technical support pages of this site or contact us.

	İmaj Teknik Elektrik Elektronik San. ve Tic. Ltd. Şti. EMEYEMEZ MAH.TUTSAK SOK. NO: 16/13-14-15 KARAKOY/İSTANBUL TURKEY
Telefon : +90 212 235 9535 / 36 Fax : +90 212 235 9537	www.imajteknik.com www.imajteknik.com.tr